



SPICER®

Off-Highway Products

Service Parts List

Transmission
R32421-666
4263681

TPL-1412
November 2011



SPICER OFF-HIGHWAY PRODUCTS DIVISION

MODEL NO. R32421-666

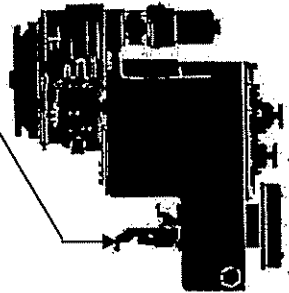
PART NO. 4263681

DATE 28/05/2007

FRONT OUTPUT FLANGE

- FLANGE 251723
- NUT 215634
- WASHER 231916
- O-RING 76K328

HR-28000
HR-32000



BI-DIRECTIONAL P.T.O. FLANGE

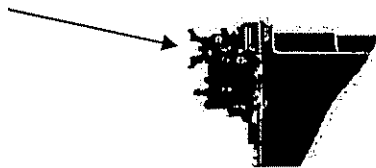
- FLANGE
- NUT
- WASHER
- O-RING

UNI-DIRECTIONAL P.T.O. FLANGE

- FLANGE
- NUT
- WASHER
- O-RING

INPUT FLANGE

- FLANGE 4207077
- NUT 216058
- WASHER 102745
- O-RING 76K220



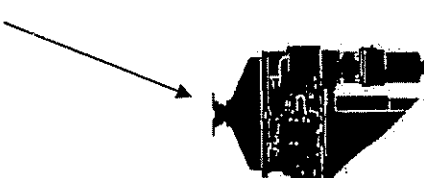
R-28000
R-32000

REAR OUTPUT FLANGE

- FLANGE 251723
- NUT 215634
- WASHER 231916
- O-RING 76K328

INPUT FLANGE

- FLANGE
- NUT
- WASHER
- O-RING



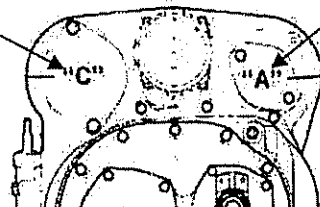
MHR-28000
MHR-32000

C

PUMP DRIVE ASS'Y

- (includes the following)
- SNAP RING (INNER)
- SNAP RING (OUTER)

CHARGING PUMP



A

PUMP DRIVE ASS'Y

- (includes the following)
- SNAP RING (INNER)
- SNAP RING (OUTER)

PUMP DRIVE SLEEVE POSITION

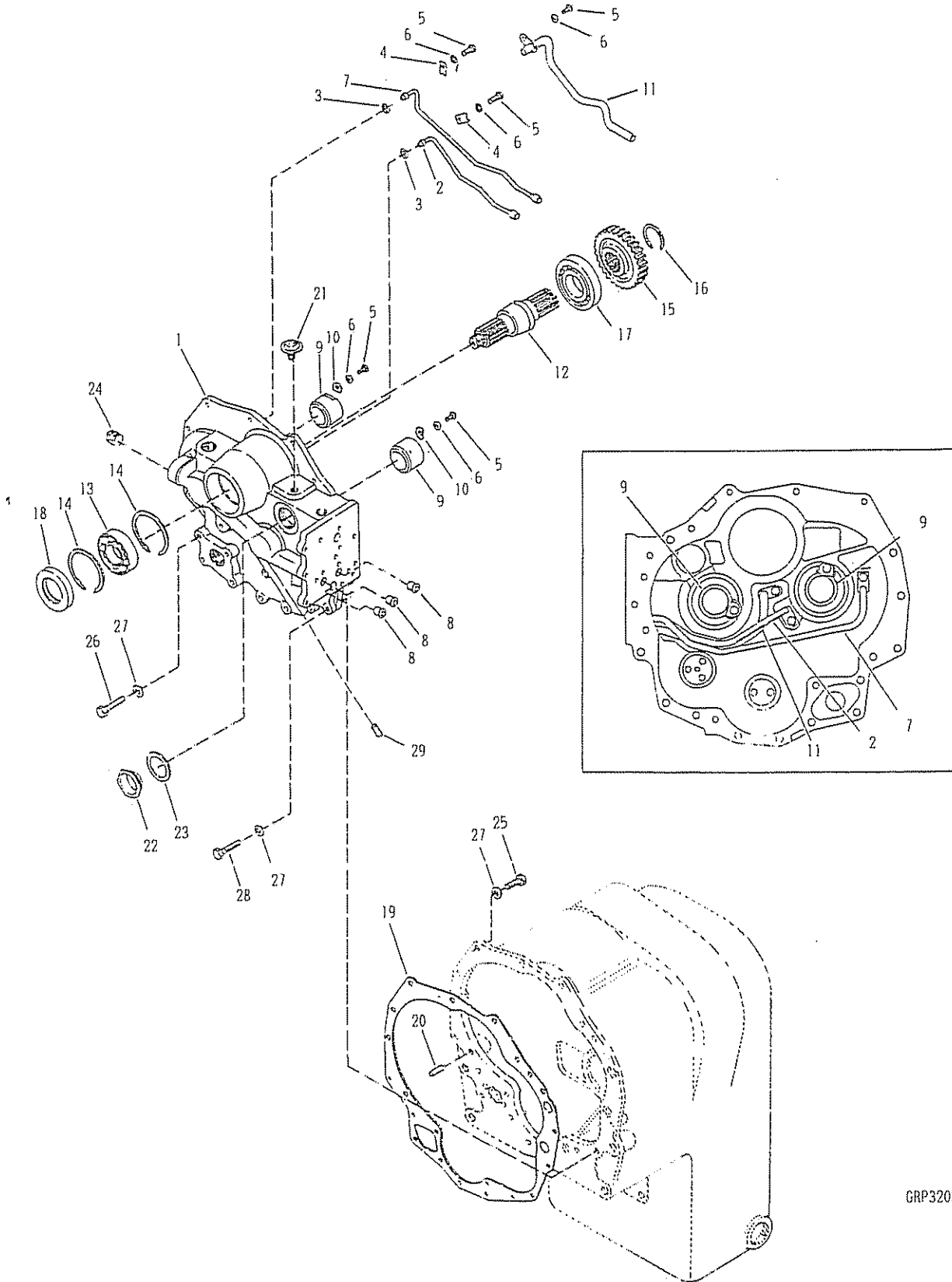
Date : 10-DEC-07
Revised :
MODEL : 4263681

R32421-666
ASSEMBLY-TRANSMISSION FOR SANDVIK TAMROCK

<u>Item</u>	<u>Qty</u>	<u>Part Number</u>	<u>%</u>	<u>Description</u>
1	1	239927	E	GEAR-OUTPUT SHAFT 38T SEE ITEM 28 OF GROUP-OUTPUT SHAFT
2	1	231878	D	CAP-OUTPUT SHAFT REAR BEARING SEE ITEM 27 OF GROUP-OUTPUT SHAFT
3	1	248022	B	GASKET-MOD VALVE ϕ AVL! SEE ITEM 13 OF ASSY-MODULATOR VALVE

N.S.S. - Not Sold Separately
N.I. - Not Illustrated
% - Part Stock Recommendation

32000
GROUP-INPUT SHAFT & FRONT COVER



Date : 10-DEC-07
Revised : F
MODEL : 266403

32000
GRP-SHAFT & COVER

<u>Item</u>	<u>Qty</u>	<u>Part Number</u>	<u>%</u>	<u>Description</u>
1	1	244427	E	ASSEMBLY-FRONT COVER AND TUBE WITHOUT PTO including items 2 thru 11
2	1	231628		ASSY-REVERSE SPEED TUBE-PART OF ITEM 1
3	2	25K30012	B	O RING - PART OF ITEM 1
4	2	231048		TUBE CLIP - PART OF ITEM 1
5	5	1C510		CAPSCREW - PART OF ITEM 1
6	5	4E5	E	LOCKWASHER - PART OF ITEM 1
7	1	231629		ASSY-3RD SPEED TUBE - PART OF ITEM 1
8	3	222067	E	SLEEVE-PRESS & LUBR TUBE-PART OF ITEM 1
9	2	237576	D	SLEEVE-CONVERTER HOUSING - PART OF ITEM 1
10	2	230851		WASHER - PART OF ITEM 1
11	1	243377		ASSY MOD LUBE BY-PASS TUBE-PART OF ITEM 1
12	1	231782	D	SHAFT-INPUT
13	1	225603	C	BEARING-BALL
14	2	223901	D	SNAP RING
15	1	248197	D	GEAR-TURBINE SHAFT 26T
16	1	224026	D	SNAP RING
17	1	241684	C	ROLLER BEARING
18	1	231798	B	SEAL-OUTPUT SHAFT FRONT OIL
19	2	231606	B	GASKET-CONV. HSG TO TRANSM. CASE
20	2	236823		DOWEL PIN
21	1	238535	C	AIR-BREATHER
22	1	219370		PLUG-FRONT COVER
23	1	219373	B	GASKET
24	1	10F16		PIPE PLUG

N.S.S. - Not Sold Separately
N.I. - Not Illustrated
% - Part Stock Recommendation

Date : 10-DEC-07
Revised : F
MODEL : 266403

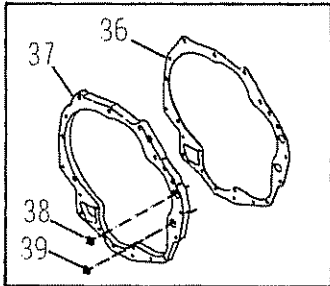
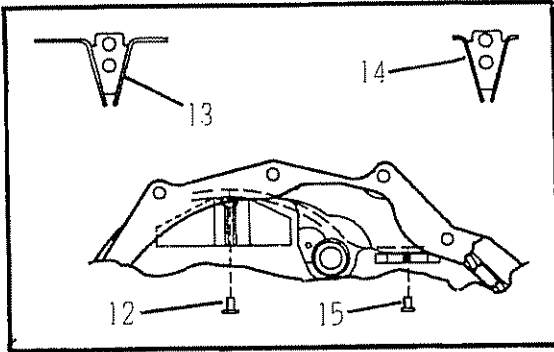
32000
GRP-SHAFT & COVER

<u>Item</u>	<u>Qty</u>	<u>Part Number</u>	<u>%</u>	<u>Description</u>	
25	10	17C736		CAPSCREW	
26	4	17C744		CAPSCREW	
27	18	4E7		LOCKWASHER-PUMP MOUNTING SCREW	
28	4	17C760		CAPSCREW	
29	1	16F6		PIPE PLUG	
	2	76K211	B	O RING	N.I.
	1	236821		SPACER-HSG TO CASE	N.I.

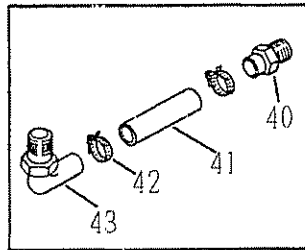
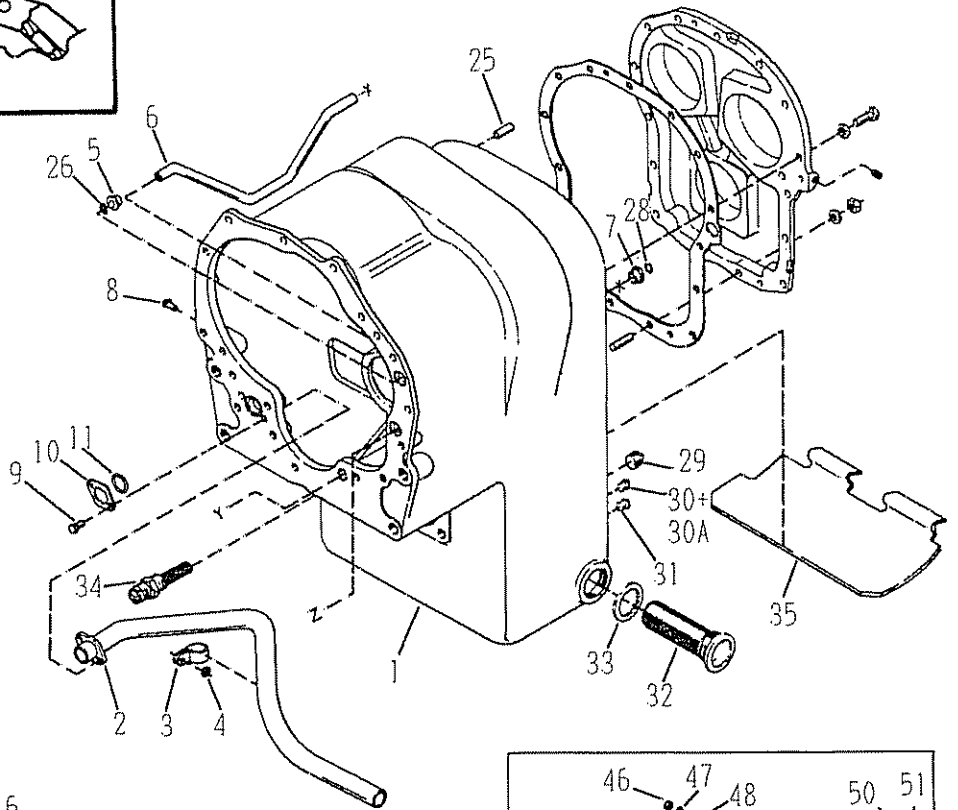
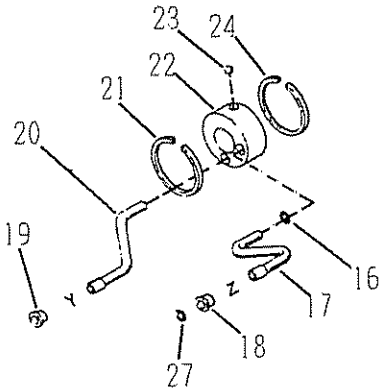
N.S.S. - Not Sold Separately
N.I. - Not Illustrated
% - Part Stock Recommendation

32000

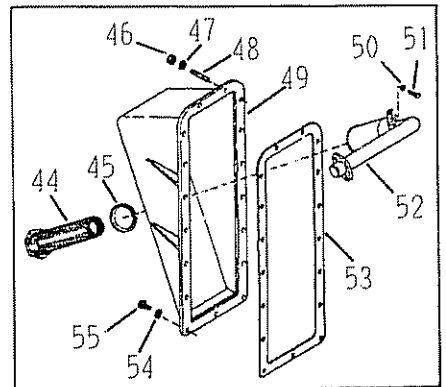
GROUP-TRANSMISSION CASE



CONVERTER HOUSING TO TRANSMISSION CASE SPACER USED ONLY WITH 12 PLATE CLUTCH PACK ASSEMBLY



DRAIN BACK HOSE OPTION



SPECIAL SUMP

GRP32011

Date : 17-NOV-08
Revised : C
MODEL : 269752

32000
GROUP-TRANSMISSION CASE

<u>Item</u>	<u>Qty</u>	<u>Part Number</u>	<u>%</u>	<u>Description</u>
1	1	251437	E	ASSY-TRANSM CASE & TUBE-INCL.ITEMS 2 THRU 24
2	1	234836		ASSY-SUCTION TUBE - PART OF ITEM 1
3	1	6H36		CLIP-CLOSED - PART OF ITEM 1
4				Not Used On This Model
5	1	222067	E	SLEEVE-PRESS & LUBR TUBE-PART OF ITEM 1
6	1	230900	D	TUBE-LOW CLUTCH PRESSURE - PART OF ITEM 1
7	1	222067	E	SLEEVE-PRESS & LUBR TUBE - PART OF ITEM 1
8	1	249894		RIVET - PART OF ITEM 1
9	2	4C516		CAPSCREW - PART OF ITEM 1
10	1	230921		SUCTION LINE RET WASHER- PART OF ITEM 1
11	1	76K216	B	O RING - PART OF ITEM 1
12	2	249894		RIVET - PART OF ITEM 1
13	1	247884	D	OIL BAFFLE - PART OF ITEM 1
14	1	247885	D	OIL BAFFLE - PART OF ITEM 1
15	2	249894		RIVET - PART OF ITEM 1
16	1	76K12	B	O-RING
17	1	231619	C	TUBE-4TH SPEED PRESSURE
18	1	222067	E	SLEEVE-PRESSURE & LUBRICATION TUBE
19	1	222067	E	SLEEVE-PRESSURE & LUBRICATION TUBE
20	1	231620		TUBE-4TH CLUTCH LUBE
21	1	223901	D	RING-SNAP
22	1	235314	E	ASSY-OIL DISTRIBUTOR & PLUG
23	1	10J8		BALL
24	1	223901	D	RING-SNAP
25	2	214118		DOWEL PIN

N.S.S. - Not Sold Separately
N.I. - Not Illustrated
% - Part Stock Recommendation

Date : 17-NOV-08
Revised : C
MODEL : 269752

32000
GROUP-TRANSMISSION CASE

<u>Item</u>	<u>Qty</u>	<u>Part Number</u>	<u>%</u>	<u>Description</u>
26	1	60K40026	B	O RING
27	1	60K40026	B	O RING
28	1	60K40026	B	O RING
29	1	215757		PLUG-MAGNETIC
30	1	40K4		PLUG-OIL LEVEL/PLUG-LOCKUP PORT
30A	1	40K4		PLUG-OIL LEVEL/PLUG-LOCKUP PORT
31	1	40K4		PLUG-OIL LEVEL/PLUG-LOCKUP PORT
32	1	231390	D	ASSY-SUCTION SCREEN
33	1	219373	B	GASKET
34	1	237098		ASSY-SUCTION TUBE SCREEN
35				Not Used On This Model
36				Not Used On This Model
37				Not Used On This Model
38				Not Used On This Model
39				Not Used On This Model
40				Not Used On This Model
41				Not Used On This Model
42				Not Used On This Model
43				Not Used On This Model
44				Not Used On This Model
45				Not Used On This Model
46				Not Used On This Model
47				Not Used On This Model
48				Not Used On This Model
49				Not Used On This Model

N.S.S. - Not Sold Separately
N.I. - Not Illustrated
% - Part Stock Recommendation

Date : 17-NOV-08
Revised : C
MODEL : 269752

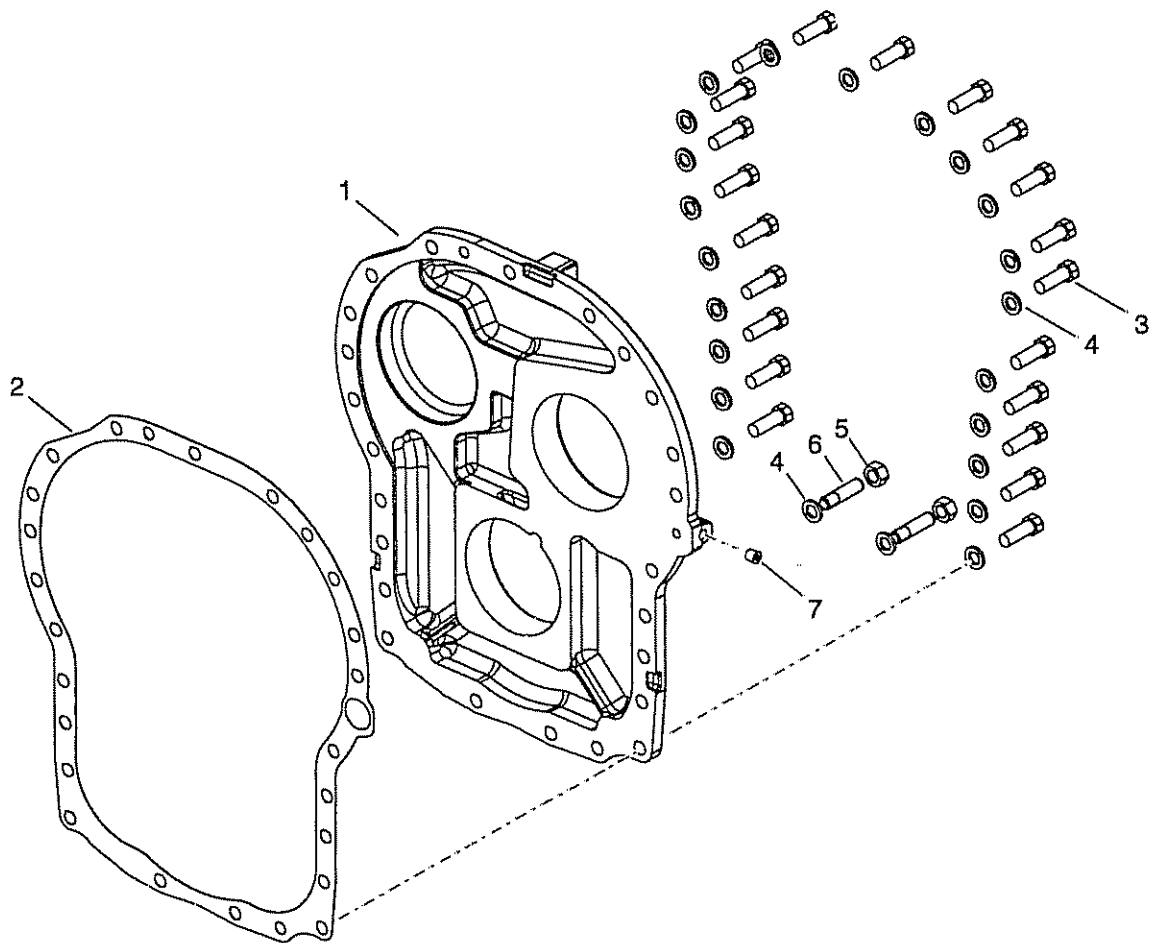
32000
GROUP-TRANSMISSION CASE

<u>Item</u>	<u>Qty</u>	<u>Part Number</u>	<u>%</u>	<u>Description</u>	
50				Not Used On This Model	
51				Not Used On This Model	
52				Not Used On This Model	
53				Not Used On This Model	
54				Not Used On This Model	
55				Not Used On This Model	
	1	40K4		PLUG-OIL LEVEL/PLUG-LOCKUP PORT	N.I.
	2	10F16		PIPE PLUG	N.I.
	1	248166	E	BUSHING-SENSOR	N.I.
AR		248167	B	WASHER-SHIM	N.I.
	1	1KM18		PLUG-SCREW TYPE	N.I.
	1	60K30020	B	O RING	N.I.
	1	16F2		PIPE PLUG	N.I.
	1	251380		PLUG-RANGE SHIFT BORE	N.I.
	1	36K10		FITTING-CAP	N.I.

N.S.S. - Not Sold Separately
N.I. - Not Illustrated
% - Part Stock Recommendation

TE15

GROUP-REAR COVER



Date : 10-DEC-07
Revised :
MODEL : 269765

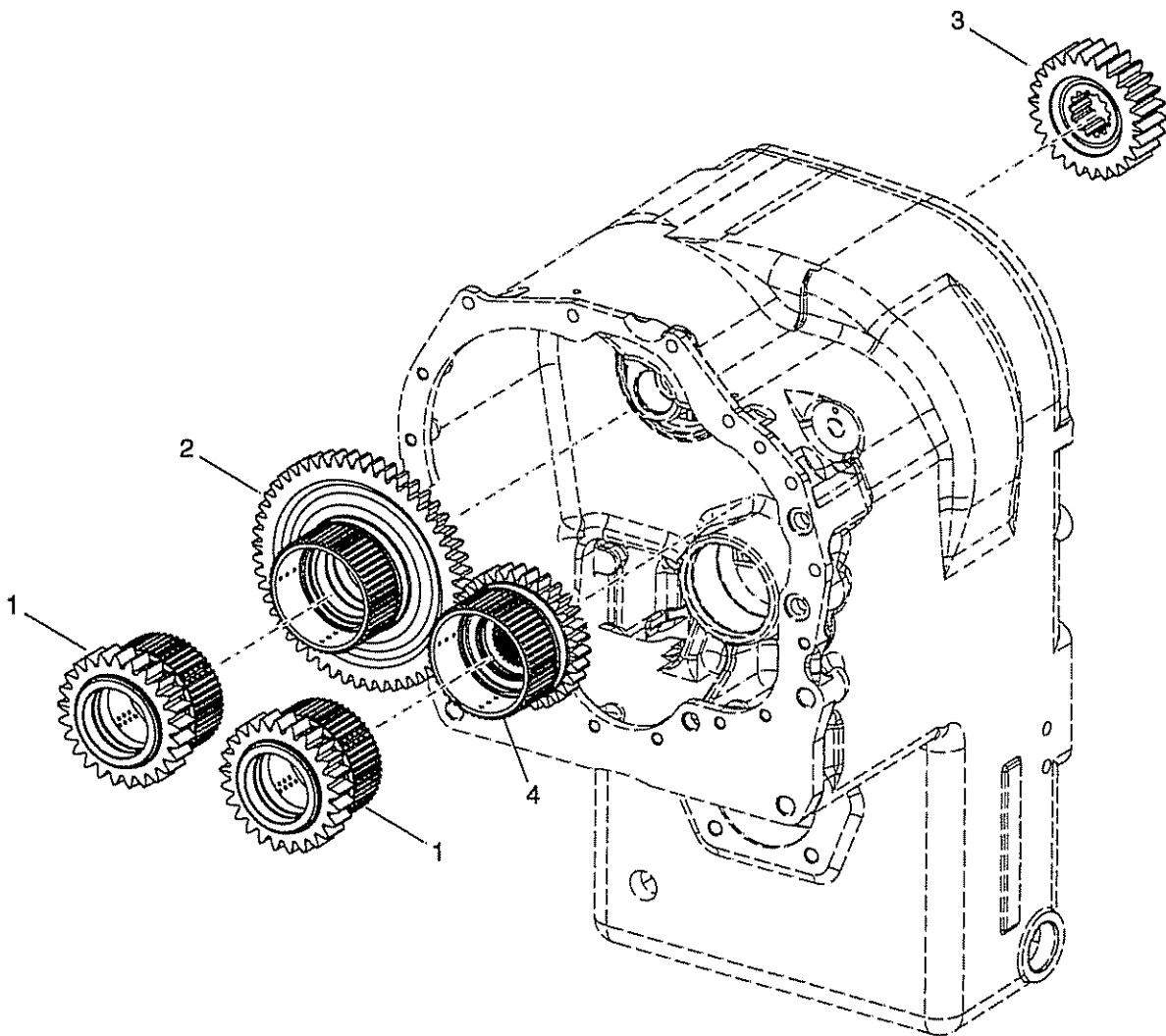
32000
GROUP-REAR COVER

<u>Item</u>	<u>Qty</u>	<u>Part Number</u>	<u>%</u>	<u>Description</u>
1	1	251425	E	COVER-REAR
2	1	242408	B	GASKET-REAR COVER TO TRANSMISSION CASE
3	21	17C720		CAPSCREW
4	23	4E7		LOCKWASHER-PUMP MOUNTING SCREW
5	2	64D7		NUT
6	2	200991		STUD
7	1	239244		PLUG

N.S.S. - Not Sold Separately
N.I. - Not Illustrated
% - Part Stock Recommendation

TE15

GROUP-FWD AND REV SHAFT



Date : 10-DEC-07
Revised :
MODEL : 269786

32000
GRP-GEAR FWD&REV SHAFT (IG)

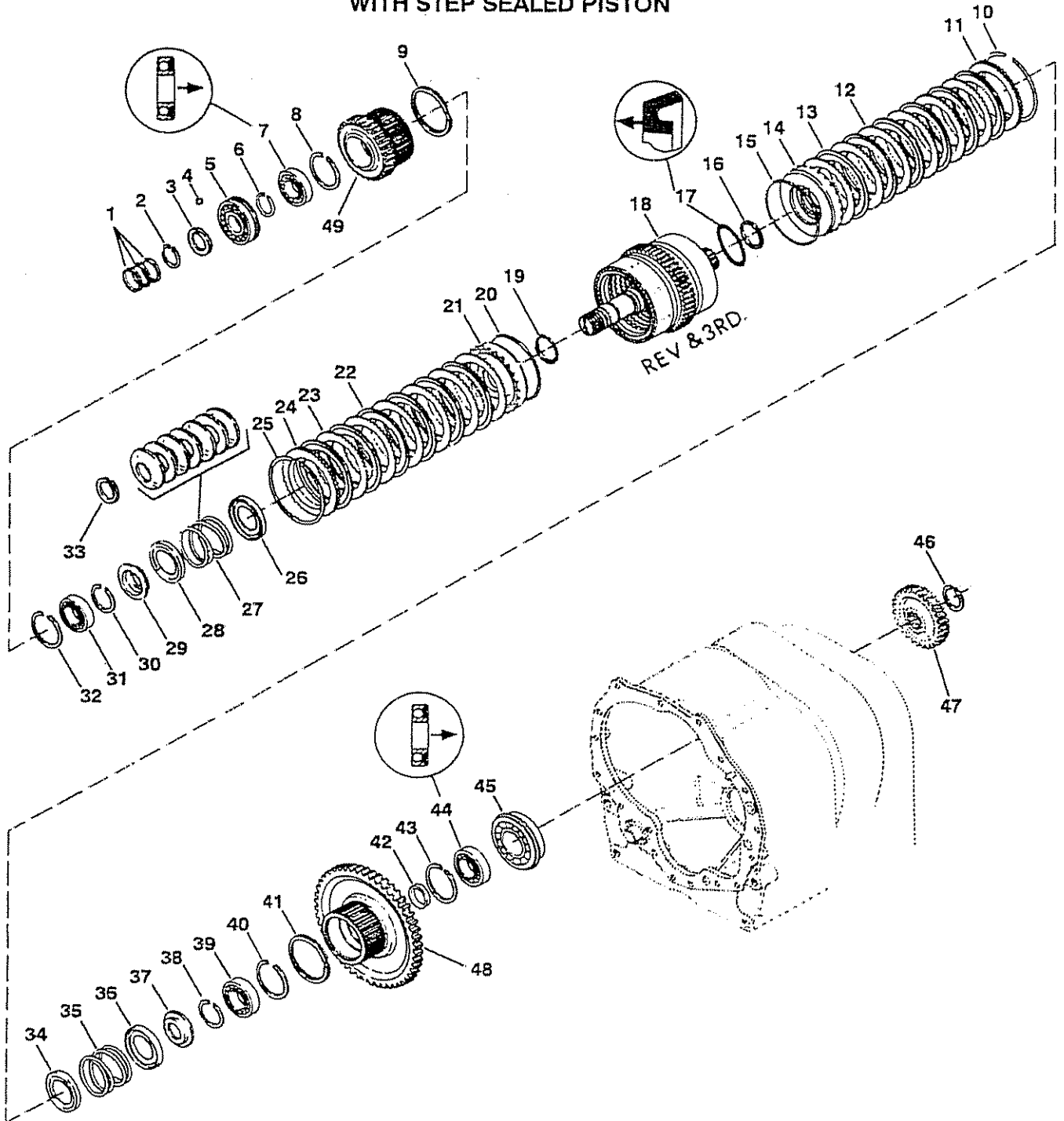
<u>Item</u>	<u>Qty</u>	<u>Part Number</u>	<u>%</u>	<u>Description</u>
1	2	248207	D	GEAR-CLUTCH DRIVEN 26T
2	1	231252	D	GEAR-HIGH RANGE 52T
3	1	249572	D	GEAR-DRIVE LOW & 4TH. 26T
4	1	239909	D	GEAR-2ND 30T

N.S.S. - Not Sold Separately
N.I. - Not Illustrated
% - Part Stock Recommendation



SPICER OFF-HIGHWAY PRODUCTS DIVISION

32000 REVERSE AND 3RD CLUTCH SHAFT GROUP WITH STEP SEALED PISTON



GRP32093

Date : 09-JUL-08
 Revised : C
 MODEL : 925000

32000
 GRP-REV & HI SHAFT

<u>Item</u>	<u>Qty</u>	<u>Part Number</u>	<u>%</u>	<u>Description</u>
1	3	4208098	B	PISTON-RING
2	1	247949	D	RING-FRONT BEARING RETAINING
3	1	239947		PLATE-REV & HIGH SHAFT FRONT BEARING END
4	1	10J4		BALL-REV & HIGH SHAFT FRONT BEARING END PLATE
5	1	239946	C	BEARING-REV & HIGH SHAFT FRONT LP1306-U12
6	1	247949	D	RING-FRONT BEARING RETAINING
7	1	233488	C	BEARING-CLUTCH DRIVEN GEAR 208SF
8	1	223881	C	CLUTCH DRIVEN GEAR BRG SNAP RING
9	1	243997	C	RING-CLUTCH HUB OIL BAFFLE
10	1	215190	C	SNAP RING-BACKING PLATE 6 1/8 O.D. EXP X 1/8
11	1	245205	C	PLATE-CLUTCH DISC BACKING HIGH CLUTCH
12	7	224772	C	DISC-CLUTCH OUTER HIGH CLUTCH
13	7	236989	C	DISC-CLUTCH INNER HIGH CLUTCH
14	1	4213599	E	ASSY - CLUTCH PISTON & SEALS Including items 15 & 16
15	1	224771	B	SEAL-CLUTCH PISTON - OUTER - PART OF ITEM 14
16	1	230857	B	SEAL-CLUTCH PISTON - INNER - PART OF ITEM 14
17	1	251926	B	SEAL-CLUTCH PISTON METERING
18	1	251929		ASSY-REV & 3RD SHAFT, HUB, DRUM & PLUG
19	1	230857	B	SEAL-CLUTCH PISTON
20	1	224771	B	RING-PISTON
21	1	245916	E	PISTON-CLUTCH REV CLUTCH
22	12	236989	C	DISC-CLUTCH INNER REV CLUTCH
23	12	224772	C	DISC-CLUTCH OUTER REV CLUTCH
24	1	236810	D	PLATE-CLUTCH DISC BACKING REV CLUTCH

N.S.S. - Not Sold Separately
 N.I. - Not Illustrated
 % - Part Stock Recommendation

Date : 09-JUL-08
Revised : C
MODEL : 925000

32000
GRP-REV & HI SHAFT

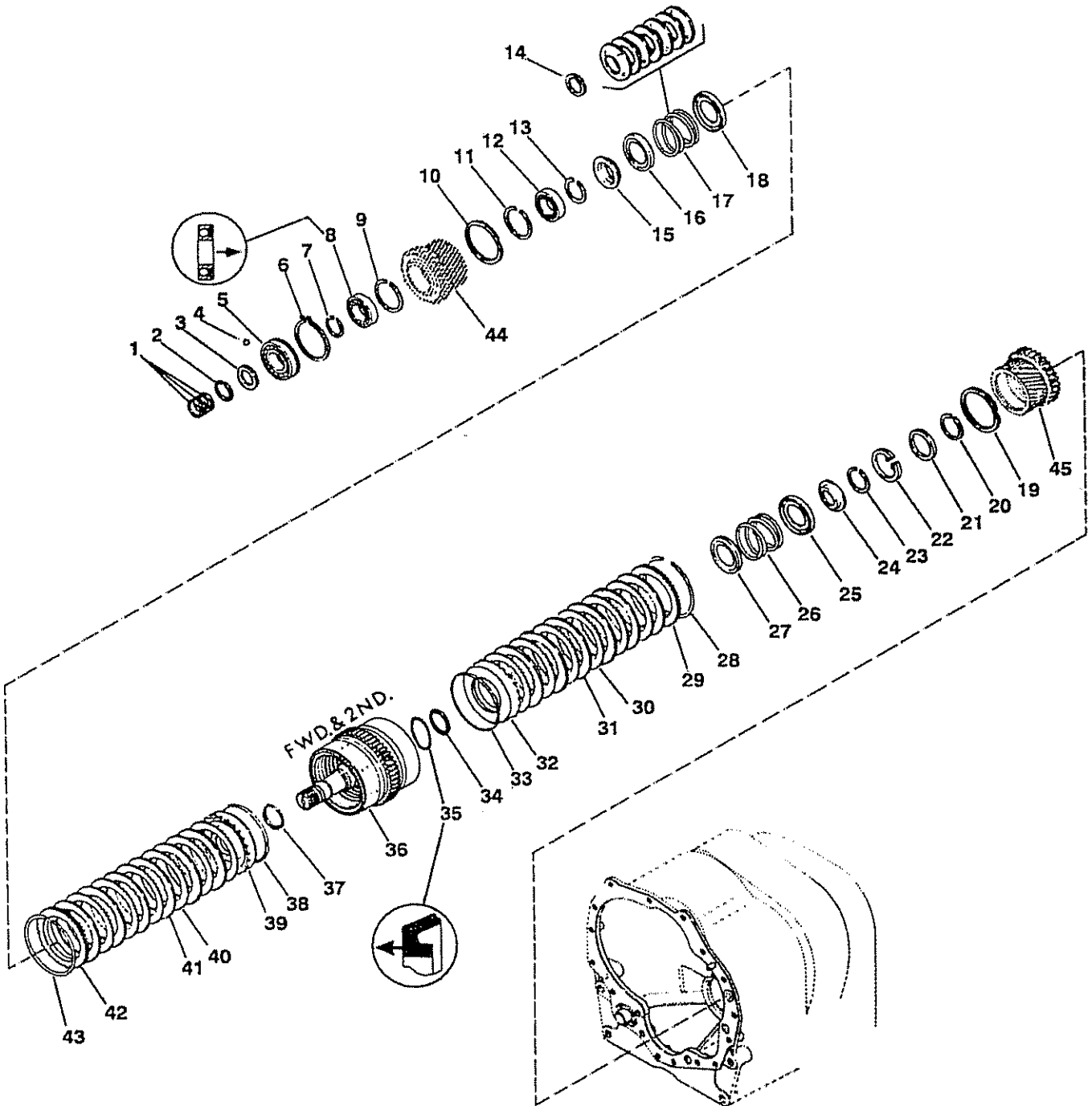
<u>Item</u>	<u>Qty</u>	<u>Part Number</u>	<u>%</u>	<u>Description</u>
25	1	215190	C	SNAP RING-BACKING PLATE 6 1/8 O.D. EXP X 1/8
26				Not Used On This Model
27	1	247655	C	ASSY-DISC SPRING REV CLUTCH
28				Not Used On This Model
29	1	239230		RETAINER-SPRING RETAINING SNAP RING
30	1	234350	D	SNAP RING-SPRING RETAINER
31	1	230885	C	BEARING-CLUTCH DRIVEN GEAR 110KS
32	1	223881	C	CLUTCH DRIVEN GEAR BRG SNAP RING
33	1	234350	D	SNAP RING-SPRING RETAINER
34	1	232088	D	RETAINER-SPRING
35	1	230822	D	SPRING-PISTON RETURN
36	1	232089	D	RETAINER-SPRING
37	1	239230		RETAINER-SPRING RETAINING SNAP RING
38	1	234350	D	SNAP RING-SPRING RETAINER
39	1	230860	C	BEARING-HIGH GEAR 109KS
40	1	223874	C	SNAP RING HIGH RANGE GEAR BRG
41				Not Used On This Model
42	1	230906	E	SPACER-HI GEAR BEARING
43	1	223874	C	SNAP RING HIGH RANGE GEAR BRG
44	1	233390	C	BEARING-HIGH GEAR 109KSG
45	1	239948	C	BEARING-REVERSE AND HIGH SHAFT GEAR U1309-J1
46	1	224106	C	RING-GEAR RETAINER
47	1			LOW CLUTCH DRIVE GEAR-SEE SPECIAL PART SECTIO
48	1			3RD GEAR - SEE SPECIAL PART SECTION
49	1			CLUTCH DRIVEN GEAR - SEE SPECIAL PART SECTION

N.S.S. - Not Sold Separately
N.I. - Not Illustrated
% - Part Stock Recommendation



SPICER OFF-HIGHWAY PRODUCTS DIVISION

32000 FORWARD & 2ND CLUTCH SHAFT GROUP WITH STEP SEALED PISTON



Date : 10-DEC-07
Revised : C
MODEL : 925001

32000
GRP-FWD & 2ND SHAFT

<u>Item</u>	<u>Qty</u>	<u>Part Number</u>	<u>%</u>	<u>Description</u>
1	3	4208098	B	PISTON-RING
2	1	247949	D	RING-FRONT BEARING RETAINING
3	1	239947		PLATE-FWD & 2ND SHAFT FRONT BEARING END
4	1	10J4		BALL-FWD & 2ND SHAFT FRONT BRG END PLATE RET
5	1	239946	C	BRG-FWD & 2ND SHAFT FRONT LP1308-U128
6	1	230889	D	RING-FRONT BEARING RET
7	1	247949	D	RING-FRONT BEARING RETAINING
8	1	233488	C	BEARING-CLUTCH DRIVEN GEAR 208SF L.I.F.
9	2	223881	C	SNAP RING-CLUTCH DRIVEN GEAR
10	1	243997	C	RING-CLUTCH HUB OIL BAFFLE
11	2	223881	C	SNAP RING-CLUTCH DRIVEN GEAR
12	1	230885	C	BEARING-CLUTCH DRIVEN GEAR 110KS
13	1	234350	D	SNAP RING-SPRING RETAINER
14	1	234350	D	SNAP RING-SPRING RETAINER
15	1	239230		RETAINER-SPRING RETAINING SNAP RING
16				Not Used On This Model
17	1	247655	C	ASSY-DISC SPRING FWD CLUTCH
18				Not Used On This Model
19				Not Used On This Model
20	1	234350	D	SNAP RING-SPRING RETAINER
21	1	239986	C	RETAINER-2ND GEAR LOCATING RING
22	1	247487	E	SNAP RING-2ND GEAR LOCATING RING RET 247544
23	1	234350	D	SNAP RING-SPRING RETAINER
24	1	239230		RETAINER-SPRING RETAINING SNAP RING
25	1	232089	D	RETAINER-SPRING

N.S.S. - Not Sold Separately
N.I. - Not Illustrated
% - Part Stock Recommendation

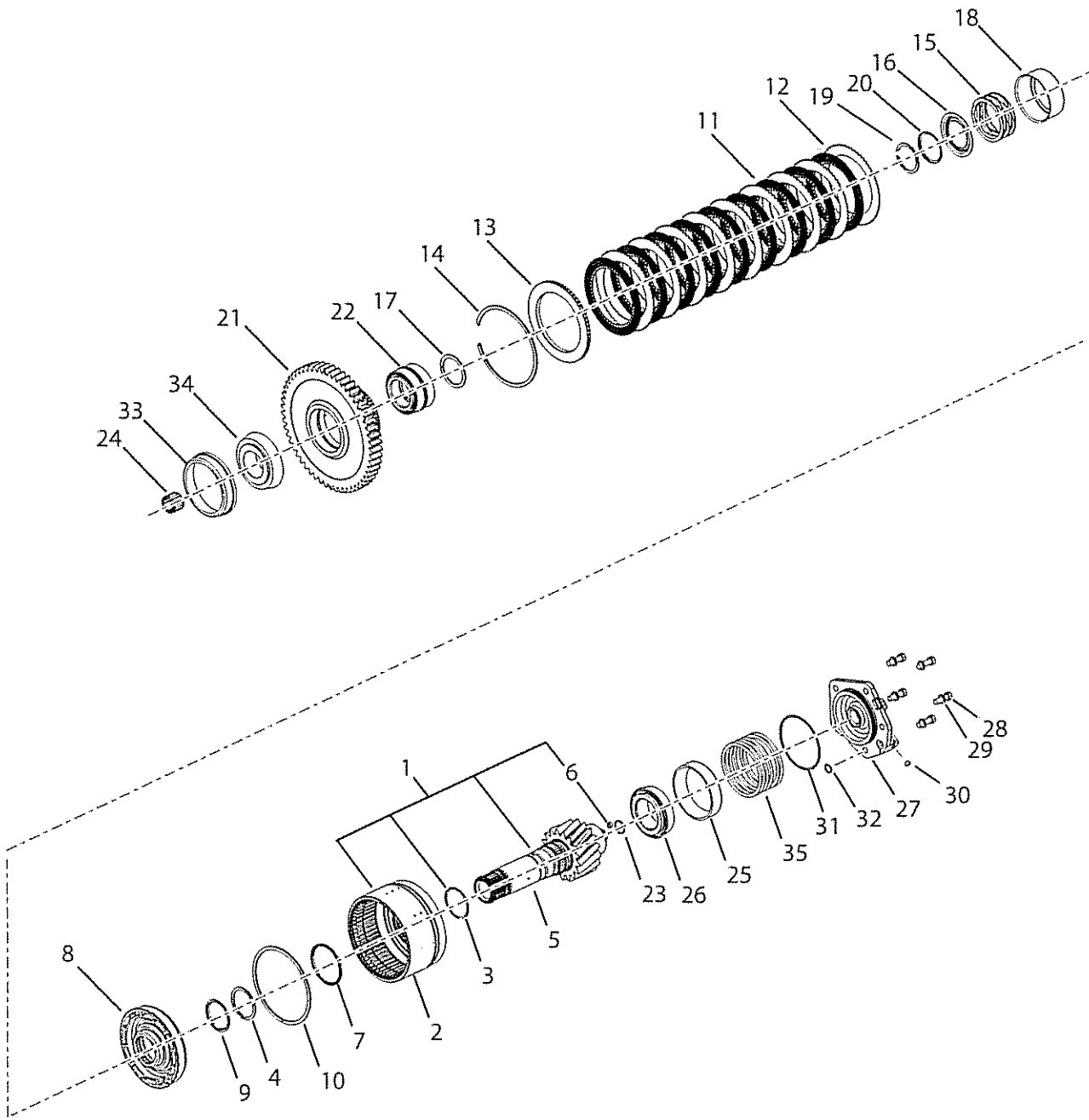
Date : 10-DEC-07
Revised : C
MODEL : 925001

32000
GRP-FWD & 2ND SHAFT

<u>Item</u>	<u>Qty</u>	<u>Part Number</u>	<u>%</u>	<u>Description</u>
26	1	230822	D	SPRING-PISTON RETURN
27	1	232088	D	RETAINER-SPRING
28	1	215190	C	SNAP RING-BACKING PLATE 6 1/8 O.D. EXP X 1/8
29	1	245205	C	PLATE-CLUTCH DISC BACKING 2ND CLUTCH
30	7	224772	C	DISC-CLUTCH OUTER 2ND CLUTCH
31	7	236989	C	DISC-CLUTCH INNER 2ND CLUTCH
32	1	4213599	E	ASSY - CLUTCH PISTON & SEALS Including items 33 & 34
33	1	224771	B	RING-PISTON - PART OF ITEM 32
34	1	230857	B	SEAL-CLUTCH PISTON - PART OF ITEM 32
35	1	251926	B	SEAL-CLUTCH PISTON METERING
36	1	251932	E	ASSY-FWD & 2ND SHAFT, HUB, DRUM & PLUG
37	1	230857	B	SEAL-CLUTCH PISTON
38	1	224771	B	RING-PISTON
39	1	245916	E	PISTON-CLUTCH FWD CLUTCH
40	12	224772	C	DISC-CLUTCH OUTER FWD CLUTCH
41	12	236989	C	DISC-CLUTCH INNER FWD CLUTCH
42	1	236810	D	PLATE-CLUTCH DISC BACKING FWD CLUTCH
43	1	215190	C	SNAP RING-BACKING PLATE 6 1/8 O.D. EXP X 1/8
44	1			FORW CLUTCH DRIVEN GEAR-SEE SPEC PART SECTION
45	1			2ND GEAR - SEE SPECIAL PART SECTION

N.S.S. - Not Sold Separately
N.I. - Not Illustrated
% - Part Stock Recommendation

32000 GROUP-LOW SHAFT



Date : 19-NOV-08
Revised : B
MODEL : 269993

32000
GROUP-LOW SHAFT (USSP)

<u>Item</u>	<u>Qty</u>	<u>Part Number</u>	<u>%</u>	<u>Description</u>
1	1	251950	E	ASSY-LOW SHAFT, HUB, DRUM & PLUG includes items 2 thru 6
2	1	251949	D	ASSY-LOW HUB & DRUM - PART OF ITEM 1
3	1	76K227	B	O RING - PART OF ITEM 1
4	1	224075	C	SNAP RING - PART OF ITEM 1
5	1	251426	E	SHAFT-LOW 17T - PART OF ITEM 1
6	1	248917		PLUG-LOW SHAFT LUBE - PART OF ITEM 1
7	1	251926	B	SEAL-CLUTCH PISTON METERING
8	1	4213600	E	ASSY-CLUTCH PISTON & SEALS Including items 9 & 10
9	1	230857	B	SEAL-CLUTCH PISTON - INNER PART OF ITEM 8
10	1	224771	B	SEAL-CLUTCH PISTON - OUTER PART OF ITEM 8
11	9	230911	C	DISC-CLUTCH INNER
12	9	224772	C	DISC-CLUTCH OUTER
13	1	224774	C	PLATE-CLUTCH DISC BACKING
14	1	215190	C	SNAP RING
15	1	251430	D	SPRING-WAVE CLUTCH PISTON RETURN
16	1	251433	D	RETAINER-SPRING
17	1	251431		WASHER-BEARING
18	1	241917	D	SPRING RETAINER
19	1	224026	D	SNAP RING
20	1	251432	D	RETAINER-SNAPRING
21	1	249573	D	GEAR-HUB LOW CLUTCH 54T
22	1	251435	C	BEARING-ROLLER
23	1	250215	B	RING-PISTON
24	1	230886	C	BEARING

N.S.S. - Not Sold Separately
N.I. - Not Illustrated
% - Part Stock Recommendation

Date : 19-NOV-08
Revised : B
MODEL : 269993

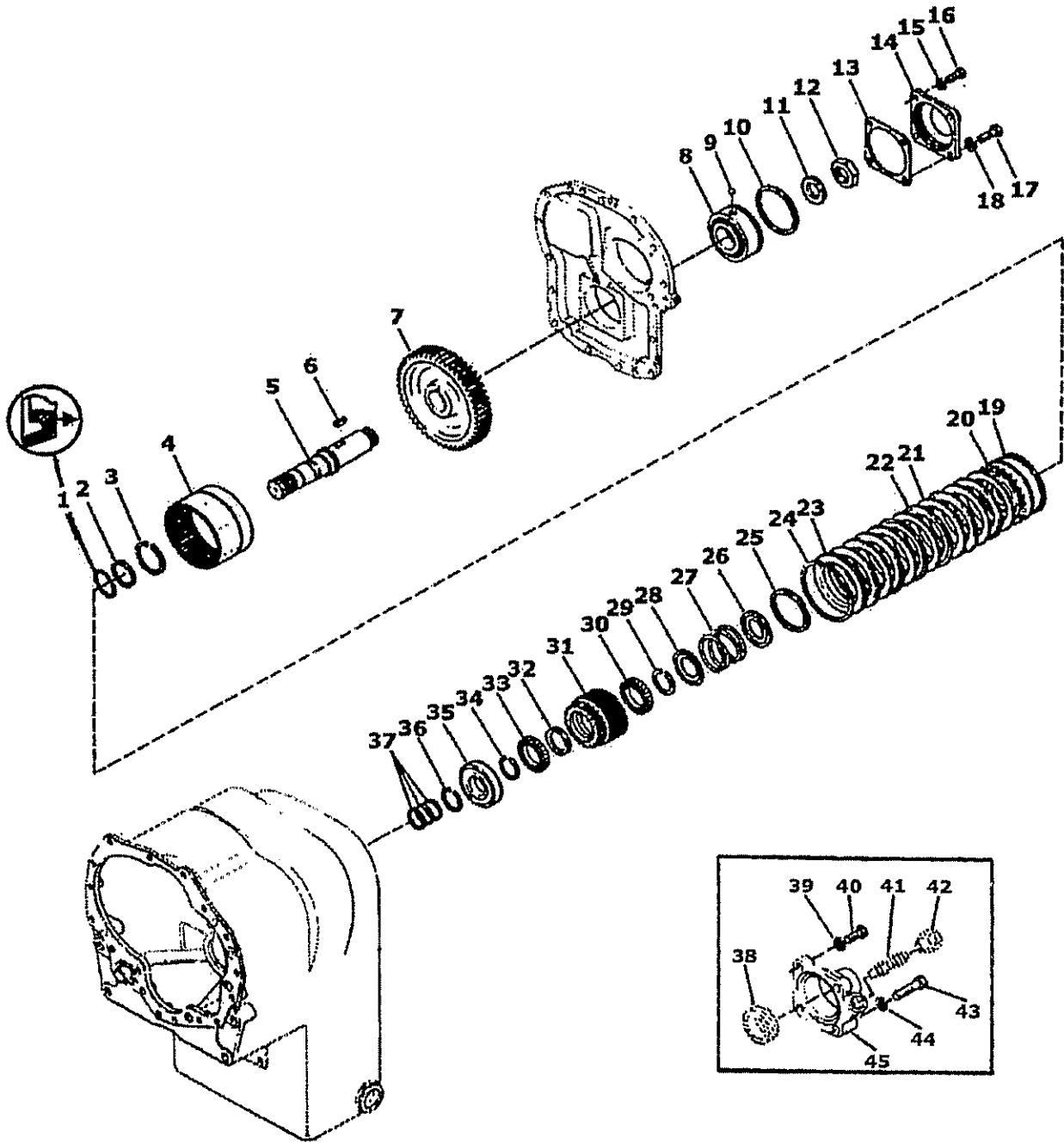
32000
GROUP-LOW SHAFT (USSP)

<u>Item</u>	<u>Qty</u>	<u>Part Number</u>	<u>%</u>	<u>Description</u>
25	1	243259	C	TAPER ROLLER BEARING CUP
26	1	243257	C	TAPER ROLLER BEARING CONE
27	1	251434	E	CAP-LOW SHAFT BEARING
28	5	1C618	C	CAPSCREW
29	5	4E6		LOCKWASHER
30	1	239244		PLUG
31	1	76K241	B	O RING
32	1	76K112	B	O RING
33	1	251428	C	BEARING-CUP
34	1	251429	C	BEARING-CONE
35	AR	251442		SHIM-BEARING CAP .004
35A	AR	251443		SHIM-BEARING CAP .007
35B	AR	251444		SHIM-BEARING CAP .010
35C	AR	251445		SHIM-BEARING CAP .020

N.S.S. - Not Sold Separately
N.I. - Not Illustrated
% - Part Stock Recommendation



32000 IDLER SHAFT & 4TH SPEED CLUTCH GROUP



Date : 10-DEC-07
Revised : C
MODEL : 269997

32000

GRP-IDLER SHAFT&4TH SPD CLUTCH (USSP)

<u>Item</u>	<u>Qty</u>	<u>Part Number</u>	<u>%</u>	<u>Description</u>
1	1	251926	B	SEAL-CLUTCH PISTON METERING
2	1	230857	B	LIP SEAL INVERTED TYPE
3	1	243251	C	RING-RETAINING
4	1	251956	E	ASSY-4TH HUB & DRUM
5	1	4211664	E	ASSY - IDLER SHAFT, GEAR AND PLUGS Item 5 is a one piece construction, includes item 7
6				Not Used On This Model
7	1	N.S.S.		GEAR - IDLER 45T - PART OF ITEM 5
8	1	239922	C	BEARING
9	1	10J15		BALL
10	1	230952	C	SNAP RING
11	1	240056		WASHER
12	1	231639	C	LOCK NUT
13	1	230918	B	IDLER SHAFT REAR BEARING CAP GASKET
14	1	239924	E	CAP-BEARING
15	4	4E9		LOCKWASHER
16	4	1C924		CAPSCREW
17				Not Used On This Model
18				Not Used On This Model
19	1	224771	B	SEAL-CLUTCH PISTON - OUTER
20	1	251923	E	ASSY-CLUTCH PISTON & RELIEF VALVE
21	6	224772	C	DISC-CLUTCH OUTER
22	6	236989	C	DISC-CLUTCH INNER
23	1	224774	C	PLATE-CLUTCH DISC BACKING
24	1	215190	C	SNAP RING

N.S.S. - Not Sold Separately
N.I. - Not Illustrated
% - Part Stock Recommendation

Date : 10-DEC-07
Revised : C
MODEL : 269997

32000
GRP-IDLER SHAFT&4TH SPD CLUTCH (USSP)

<u>Item</u>	<u>Qty</u>	<u>Part Number</u>	<u>%</u>	<u>Description</u>
26	1	232088	D	RETAINER-SPRING
27	1	230822	D	SPRING
28	1	232089	D	RETAINER-SPRING
29	1	230888	C	SNAP RING
30	1	231624	C	BEARING
31	1	249574	D	GEAR-4TH CLUTCH & HUB 23T
32	1	232405	E	SPACER-4TH GEAR
33	1	231624	C	BEARING
34	1	230888	C	SNAP RING
35	1	223386	C	BEARING
36	1	230888	C	SNAP RING
37	3	250219	B	RING-PISTON
38				Not Used On This Model
39				Not Used On This Model
40				Not Used On This Model
41				Not Used On This Model
42				Not Used On This Model
43				Not Used On This Model
44				Not Used On This Model
45				Not Used On This Model

N.S.S. - Not Sold Separately
N.I. - Not Illustrated
% - Part Stock Recommendation

Date : 10-DEC-07
Revised : B
MODEL : 240429

32000
GROUP-OUTPUT SHAFT

<u>Item</u>	<u>Qty</u>	<u>Part Number</u>	<u>%</u>	<u>Description</u>
1	1	231884	B	OIL SEAL
2	1	231818	E	CAP-FRONT BEARING
3	AR	231848	D	SHIM DISCONNECT BEARING CAP (.004)
3A	AR	231849	D	OUTPUT SHAFT BRG. CAP SHIM
3B	AR	231850	D	OUTPUT SHAFT BRG. CAP SHIM
3C	AR	231851	D	OUTPUT SHAFT BRG. CAP SHIM
4	1	25K40400	B	O RING
5	1	243258	C	TAPER ROLLER BEARING CUP
6	1	243257	C	TAPER ROLLER BEARING CONE
7	1	239980		OUTPUT SHAFT SPACER
8	1	239932	E	OUTPUT SHAFT
9	1	243257	C	TAPER ROLLER BEARING CONE
10	1	243259	C	TAPER ROLLER BEARING CUP
11	1	25K40412	B	O RING
12	1	25K30026	B	O RING
13	4	6E9		LOCKWASHER
14	4	1C928		CAPSCREW
15	1	231884	B	OIL SEAL
16	4	4E9		LOCKWASHER
17	4	1C920		CAPSCREW
18				Not Used On This Model
19				Not Used On This Model
20				Not Used On This Model
21				Not Used On This Model
22				Not Used On This Model

N.S.S. - Not Sold Separately
N.I. - Not Illustrated
% - Part Stock Recommendation

Date : 10-DEC-07
Revised : B
MODEL : 240429

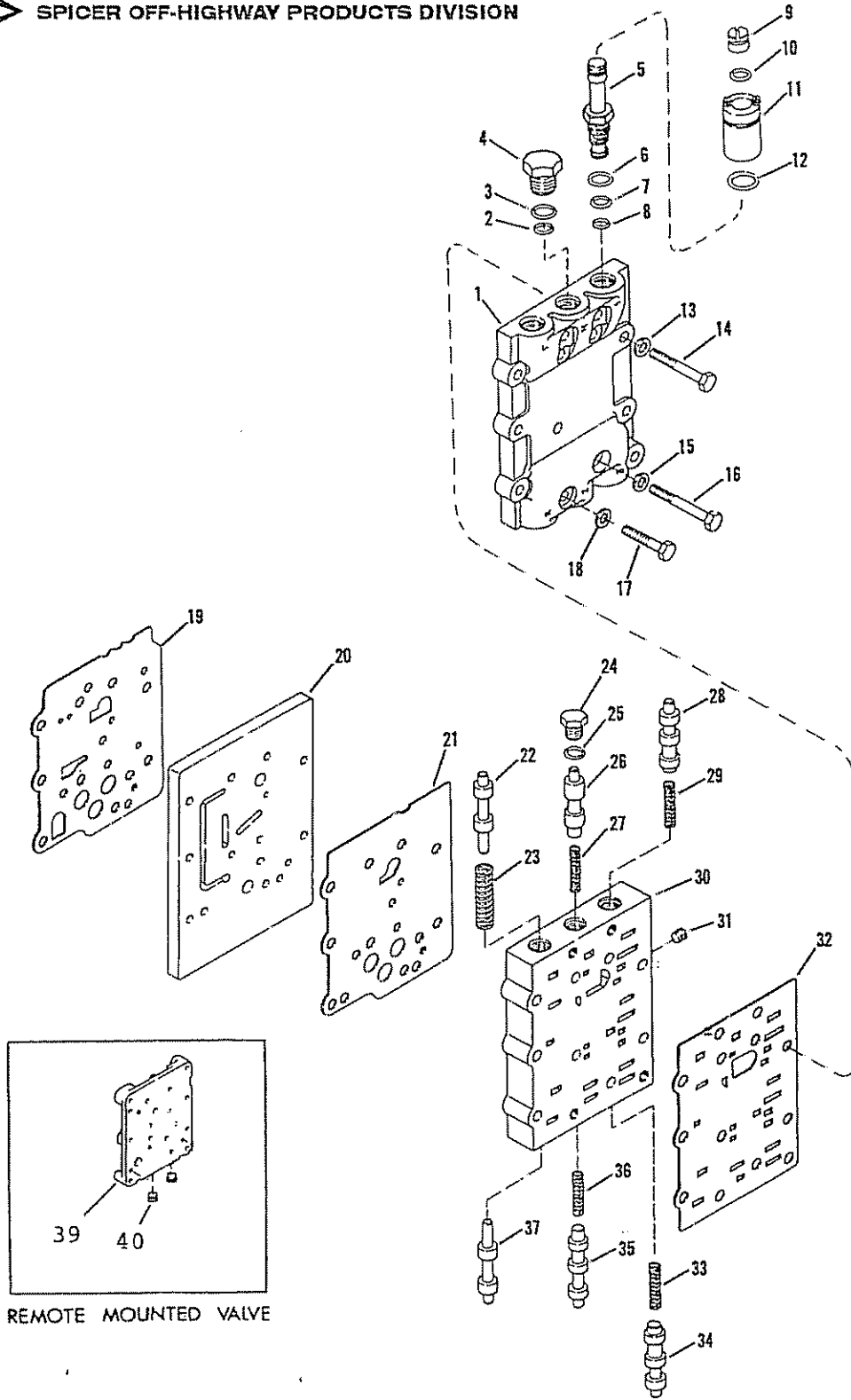
32000
GROUP-OUTPUT SHAFT

<u>Item</u>	<u>Qty</u>	<u>Part Number</u>	<u>%</u>	<u>Description</u>
23				Not Used On This Model
24				Not Used On This Model
25				Not Used On This Model
26				Not Used On This Model
27				REAR BEARING CAP - SEE FRONT PAGE
28	1			OUTPUT SHAFT GEAR - SEE FRONT PAGE

N.S.S. - Not Sold Separately
N.I. - Not Illustrated
% - Part Stock Recommendation



SPICER OFF-HIGHWAY PRODUCTS DIVISION



REMOTE MOUNTED VALVE

Date : 24-MAR-09
Revised : C
MODEL : 251339

32000
REMOTE ELECTRIC 4-SPEED (24V) CONTROL VALVE ASSEMBLY

<u>Item</u>	<u>Qty</u>	<u>Part Number</u>	<u>%</u>	<u>Description</u>
1	1	234790	E	HOUSING-SOLENOID CONTROL
2	1	25K20016	B	O RING
3	1	91F6	B	O RING
4	1	234776		SOLENOID PLUG
5	5	246284	C	CARTRIDGE SPOOL--INCL.ITEMS 6,7 & 8 Order 247749 assy-spool solenoid to service complete solenoid (includes items 5 thru 12)
6	5	76K000008000B		O RING - PART OF ITEM 5
7	5	76K14	B	O RING - PART OF ITEM 5
8	5	76K13	B	O RING - PART OF ITEM 5
9	5	249152	E	NUT-SOLENOID
10	5	76K20	B	O RING
11	5	246291	C	SOLENOID-COIL
12	5	76K20	B	O RING
13	5	4E6		LOCKWASHER
14	5	1C644		CAPSCREW
15	4	4E6		LOCKWASHER
16	4	1C648		CAPSCREW
17	4	1C628		CAPSCREW
18	4	4E6		LOCKWASHER
19				Not Used On This Model
20				Not Used On This Model
21	1	248029	B	GASKET-CONTROL VALVE
22	1	234784	D	FWD. AND REV. SPOOL
23	1	234785	E	SPRING
24	6	234793		PLUG

N.S.S. - Not Sold Separately
N.I. - Not Illustrated
% - Part Stock Recommendation

Date : 24-MAR-09
Revised : C
MODEL : 251339

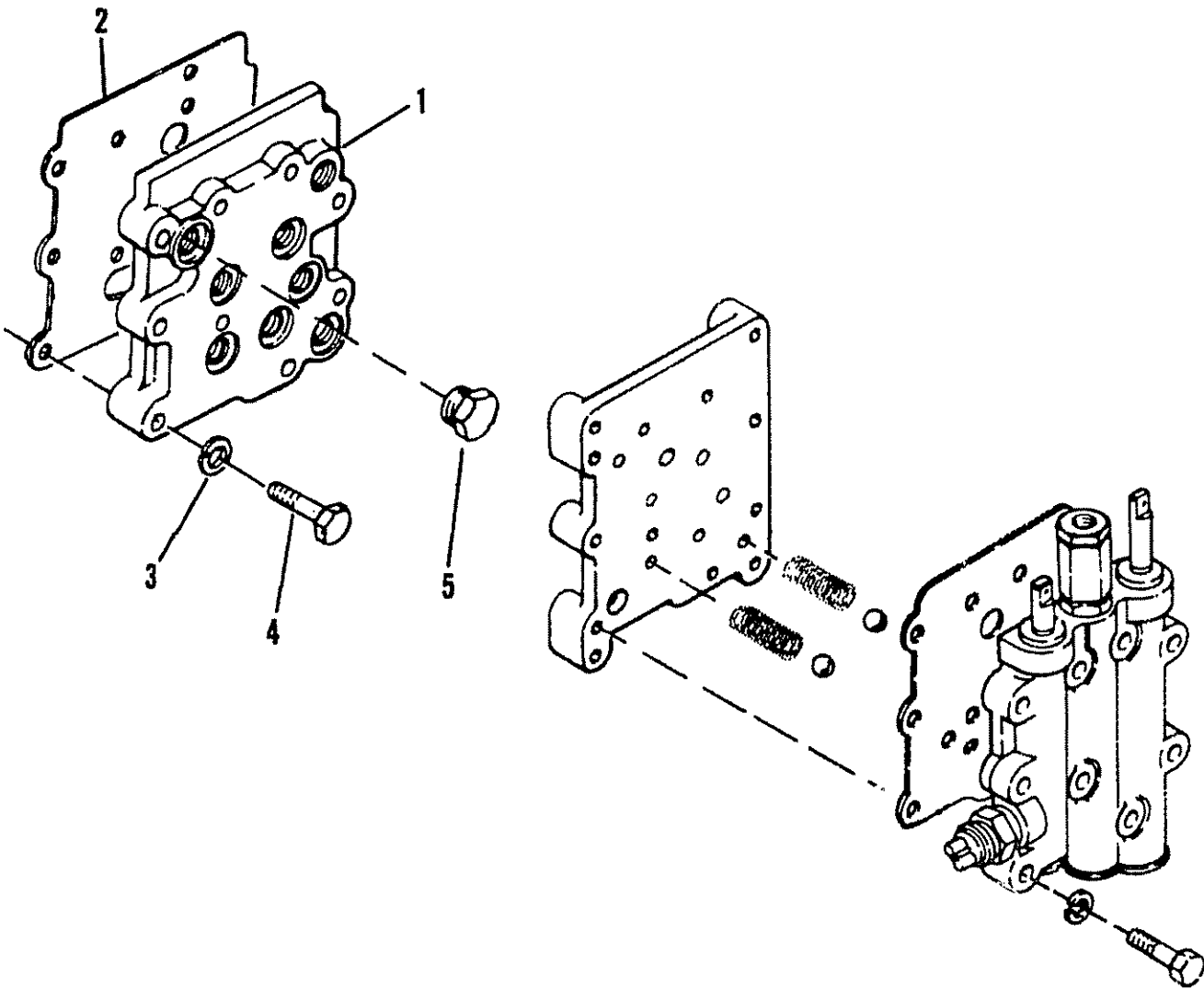
32000
REMOTE ELECTRIC 4-SPEED (24V) CONTROL VALVE ASSEMBLY

<u>Item</u>	<u>Qty</u>	<u>Part Number</u>	<u>%</u>	<u>Description</u>
25	6	91F6	B	O RING
26	1	234787	D	SPOOL-RANGE
27				Not Used On This Model
28	1	234788	D	SPEED SELECTOR SPOOL
29	1	234789	E	SPRING-SPOOL
30	1	241131	E	ASSY-CONTROL VALVE include items 22 thru 26,28,29,31,33 thru 37
31	1	11F8		PIPE PLUG
32	1	249003	B	GASKET-SOLENOID VALVE
33	1	234789	E	SPRING-SPOOL
34	1	234788	D	SPEED SELECTOR SPOOL
35	1	234786	D	SPOOL-2ND SPEED
36	1	234789	E	SPRING-SPOOL
37	1	234784	D	FWD. AND REV. SPOOL
39	1	236519		PLATE-REMOTE CONTROL
40	2	239244		PLUG

N.S.S. - Not Sold Separately
N.I. - Not Illustrated
% - Part Stock Recommendation



GROUP-REMOTE VALVE ADAPTOR PLATE



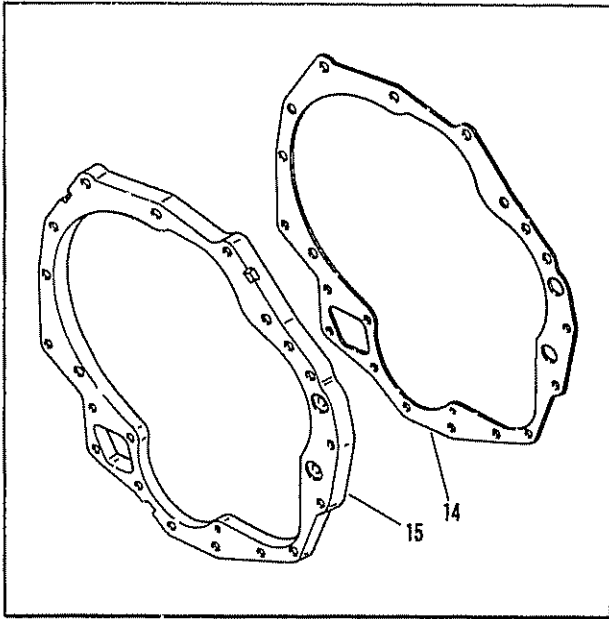
Date : 10-DEC-07
Revised : D
MODEL : 266875

28/32000
GROUP-ADAPTOR PLATE

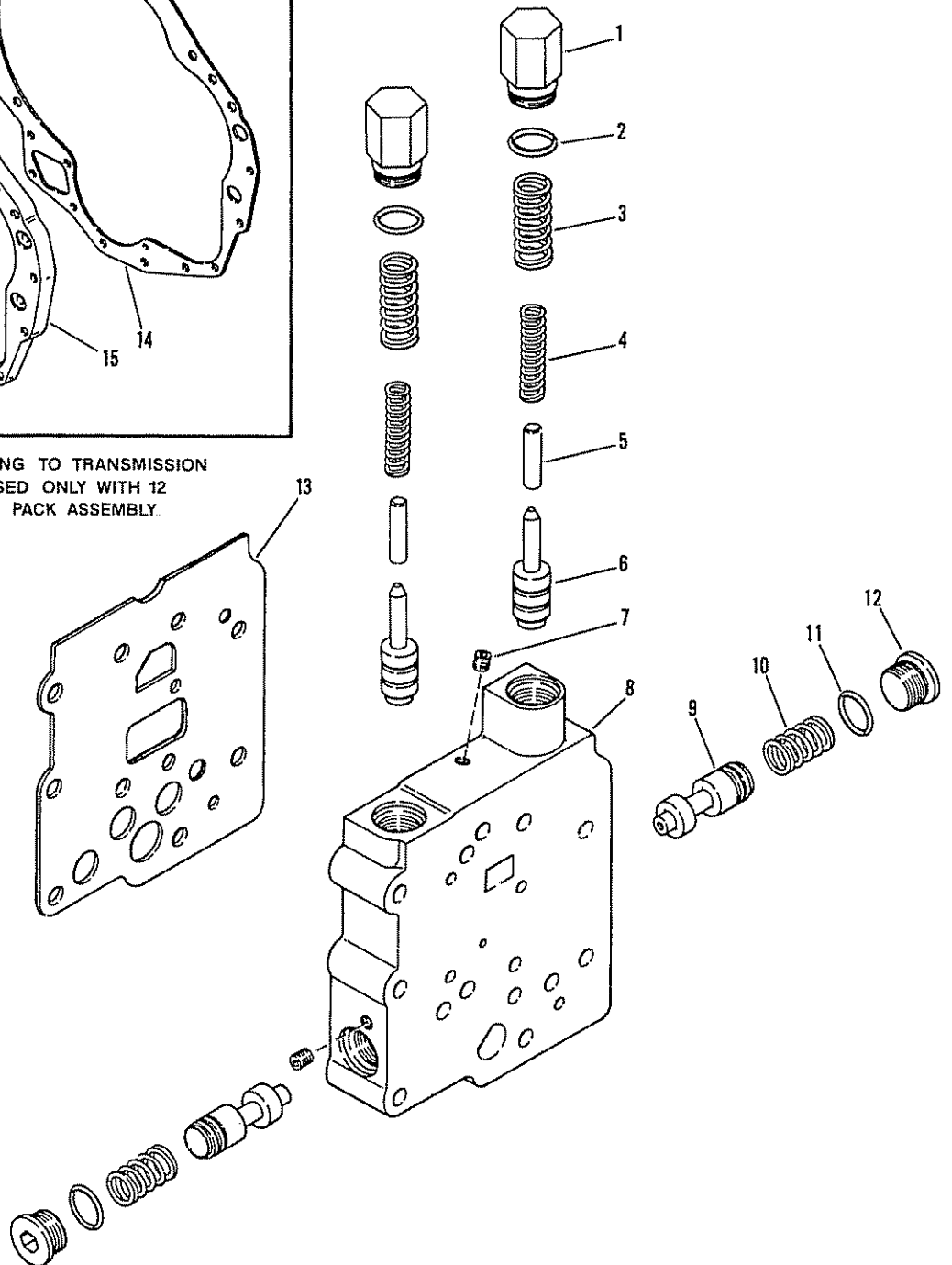
<u>Item</u>	<u>Qty</u>	<u>Part Number</u>	<u>%</u>	<u>Description</u>	
1	1	246261	E	PLATE-VALVE ADAPTOR	
2	1	248023	B	GASKET-CONTROL VALVE	
3	9	4E6		LOCKWASHER	
4	9	1C652		CAPSCREW	
5	1	24K6		FITTING-PLUG	
	1	11F8		PIPE PLUG	N.I.
	6	24K5		FITTING-PLUG	N.I.
	2	16F1		PIPE PLUG	N.I.

N.S.S. - Not Sold Separately
N.I. - Not Illustrated
% - Part Stock Recommendation

T40000 GROUP-MODULATOR VALVE



CONVERTER HOUSING TO TRANSMISSION
CASE SPACER USED ONLY WITH 12
PLATE CLUTCH PACK ASSEMBLY



Date : 10-DEC-07
Revised :
MODEL : 243373

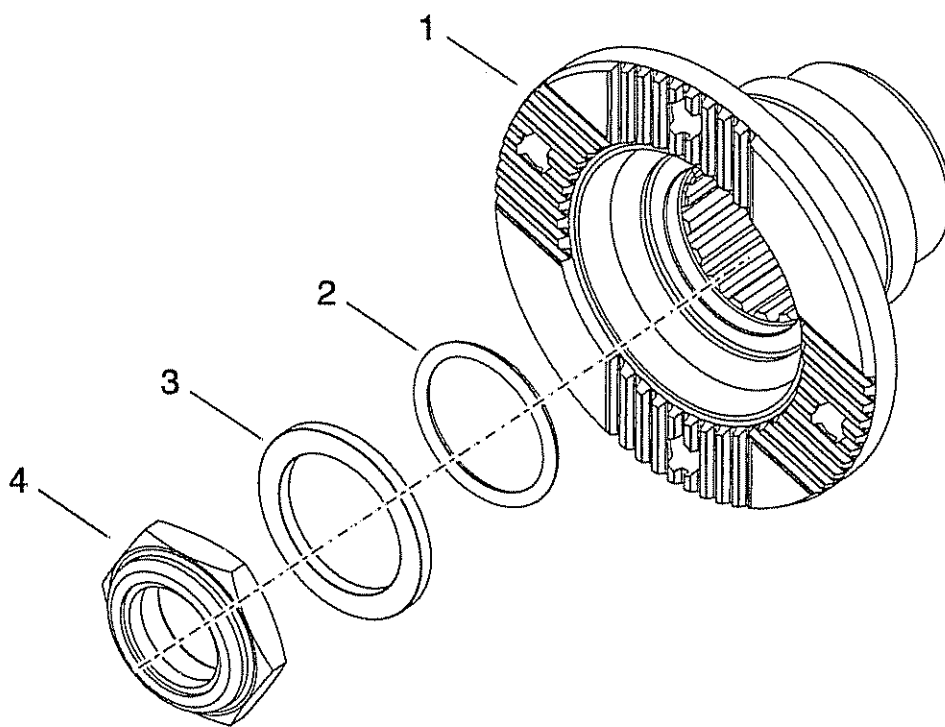
28000
ASSY-MODULATED PISTON VALVE

<u>Item</u>	<u>Qty</u>	<u>Part Number</u>	<u>%</u>	<u>Description</u>
1	2	237083	E	PLUG
2	2	91F7	B	O RING
3	2	241662		SPRING OUTER
4	2	241667		ACCUMULATOR SPRING
5	2	237084		PIN
6	2	N.S.S.		ACCUMULATOR-SPOOL
7	2	239244		PLUG
8	1	243372	E	HOUSING MODULATOR VALVE
9	2	N.S.S.		SPOOL-REGULATOR
10	2	241670	D	SPRING-REGULATOR
11	2	91F7	B	"O" RING
12	2	47K7		PLUG
13	1	248022	B	GASKET-MODULATOR VALVE
14				Not Used On This Model
15				Not Used On This Model

N.S.S. - Not Sold Separately
N.I. - Not Illustrated
% - Part Stock Recommendation

TE15

GROUP-FLANGE



Date : 10-DEC-07
Revised :
MODEL : 269926

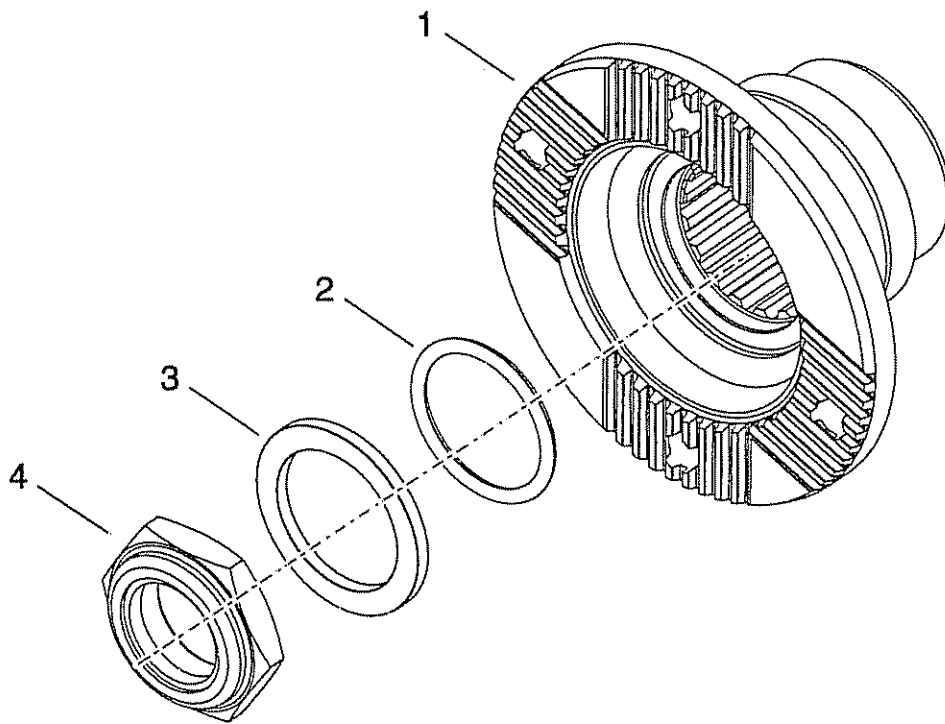
32000
GROUP-FLANGE 155KV70 (17T)

<u>Item</u>	<u>Qty</u>	<u>Part Number</u>	<u>%</u>	<u>Description</u>
1	1	251723	E	FLANGE-COMPANION 155KV(17T)
2	1	76K328	B	O RING
3	1	231916	D	WASHER
4	1	215634	C	NUT-IDLER SHAFT

N.S.S. - Not Sold Separately
N.I. - Not Illustrated
% - Part Stock Recommendation

TE15

GROUP-FLANGE



Date : 10-DEC-07
Revised :
MODEL : 4505058

32000
GROUP-FLANGE 155KV70 15T SPLINE

<u>Item</u>	<u>Qty</u>	<u>Part Number</u>	<u>%</u>	<u>Description</u>
1	1	4207077	E	FLANGE-OUTPUT 155KV70
2	1	76K220	B	O RING
3	1	102745		WASHER-FLANGE
4	1	216058	C	NUT-FLANGE

N.S.S. - Not Sold Separately
N.I. - Not Illustrated
% - Part Stock Recommendation

4-JUL-06

ENGINEERING PARTS LIST

Nr: 8100264

Model: 32000

Ref: 802322

KIT-SEALING AND GASKET FOR R-32000 3, 4 & 6 SPEED

QTY SHOWN IS TO MAKE ONE OF THE NEXT HIGHER ASSEMBLY

EV	P	PART NUMBER	QTY	S/E	PARTNAME AND APPLICATION
		91F8	1		SEAL-O RING
		60K40104	1		SEAL-O RING
		60K20012	1		SEAL-O RING
		243191	1		GASKET-REAR COVER
		60K40026	5		SEAL-O RING
		219373	1		GASKET-RUBBER
		244094	2		GASKET-BEARING CAP
		4208098	8		PISTON-RING
		224771	6		RING-PISTON ϕ AVL!
		230857	6		SEAL-CLUTCH PISTON
		250215	1		RING-PISTON ϕ AVL!
		60K40424	1		SEAL-O RING
		237032	2		RING-PISTON
		234113	2		RING-PISTON SEAL
		4205272	1		GASKET-SHIPPING COVER
		231884	2		SEAL-OIL
		60K40400	1		SEAL-O RING
		60K30026	1		SEAL-O RING
		60K40412	1		SEAL-O RING
		25K60128	2		SEAL-O RING
		60K30016	1		SEAL-O RING
		214625	1		SEAL-OIL
		242408	1		GASKET-REAR COVER ϕ AVL!
		244585	6		SEAL-CLUTCH PISTON
		231193	1		GSKT-LO CL BRG CAP ϕ AVL!
		250219	3		RING-PISTON ϕ AVL!
		230918	1		GSKT-SHFT BRG CAP. ϕ AVL!

Ltr :
Date:
ECN :

Issued : sv

Rel : sv
Date: 21-JUN-06
ERN : 06455800B1

04-JUL-06

ENGINEERING PARTS LIST

Nr: 8100264

Model: 32000

Ref: 802322

KIT-SEALING AND GASKET FOR R-32000 3, 4 & 6 SPEED

QTY SHOWN IS TO MAKE ONE OF THE NEXT HIGHER ASSEMBLY

REV	P	PART NUMBER	QTY	S/E	PARTNAME AND APPLICATION
		231606	1		GASKET-HSG TO CASE ϕ AVL!
		25K40112	1		SEAL-O RING
		76K328	1		SEAL-O RING-VITON
		76K241	1		SEAL-O RING
		76K112	1		SEAL-O RING
		251926	5		SEAL-CLUTCH PISTON METERING
		TSB323		I	INSTRUCTION FOR OBSOLETED 249680
		231798	1		SEAL-OUTPUT SHAFT FRONT OIL
		231606	1		GASKET-CONV. HSG TO TRANSM. CASE
		234651	2		SEAL-OIL
		60K30012	1		O RING
		25K30020	1		O RING
		25K30022	1		O RING
		237698	1		SEAL-OIL
		248023	1		GASKET-CONTROL VALVE
		248022	1		GASKET-MODULATOR VALVE
		243195	1		CONVERTER HOUSING GASKET
		60K30120	1		O RING
		248012	1		GASKET-CONTROL COVER TO CONTROL VALVE
		248013	1		GASKET-CONTROL VALVE
		234650	1		OIL SEAL
		248021	1		GASKET-ADAPTOR PLATE
		248025	1		GASKET-ADAPTOR PLATE
		248022	1		GASKET-MODULATOR VALVE
		248029	1		GASKET-CONTROL VALVE
		249003	1		GASKET-SOLENOID VALVE
		222067	2		SLEEVE-PRESSURE & LUBRICATION TUBE

Ltr :
Date:
ECN :

Issued : sv

Rel : sv
Date: 21-JUN-06
ERN : 06455800B1

04-JUL-05

ENGINEERING PARTS LIST

Nr: 8100264

Model: 32000

Ref: 802322

KIT-SEALING AND GASKET FOR R-32000 3, 4 & 6 SPEED

QTY SHOWN IS TO MAKE ONE OF THE NEXT HIGHER ASSEMBLY

REV P PART NUMBER QTY S/E PARTNAME AND APPLICATION

219373 1 GASKET

Ltr :
Date:
ECN :

Issued : sv

Rel : sv
Date: 21-JUN-06
ERN : 0645580021



Part Stocking Recommendation

The table below is a minimum spare parts inventory recommendation designated by letter code in each Service Parts List. Each letter code indicates a percentage for determining stock quantities to support the field population. Any quantity less than 1 or partial quantities need not be stocked.

Letter Code	Percentage	Example
A	15%	Part quantity = 10 per unit Field Population = 240 units Recommended stock = $240 \text{ units} \times 10 \text{ per unit} \times .15 = 360 \text{ parts}$
B	10%	Part quantity = 4 per unit Field Population = 66 units Recommended stock = $66 \text{ units} \times 4 \text{ per unit} \times .10 = 26.4 \text{ or } 26 \text{ parts}$
C	6%	Part quantity = 2 per unit Field Population = 203 units Recommended stock = $203 \text{ units} \times 2 \text{ per unit} \times .06 = 24.4 \text{ or } 24 \text{ parts}$
D	4%	Part quantity = AR* Field Population = 42 units Recommended stock = $42 \text{ units} \times 3 \text{ per unit} \times .04 = 5.04 \text{ or } 5 \text{ parts}$
E	2%	Part quantity = 1 per unit Field Population = 75 units Recommended stock = $75 \text{ units} \times 1 \text{ per unit} \times .02 = 1.5 \text{ or } 1 \text{ part}$
*Part quantities denoted by "AR" (as required) should be ordered by a quantity of 3 per unit.		

© Copyright 2011 Dana Holding Corporation

All content is subject to copyright by Dana and may not be reproduced in whole or in part by any means, electronic or otherwise, without prior written approval.

THIS INFORMATION IS NOT INTENDED FOR SALE OR RESALE, AND THIS NOTICE MUST REMAIN ON ALL COPIES.

For product inquiries or support,
visit www.dana.com or call 419-887-6445

For other service publications,
visit www.SpicerParts.com/literature.asp

For online service parts ordering,
visit www.SpicerParts.com/order.asp



SPICER[®]

Off-Highway Products